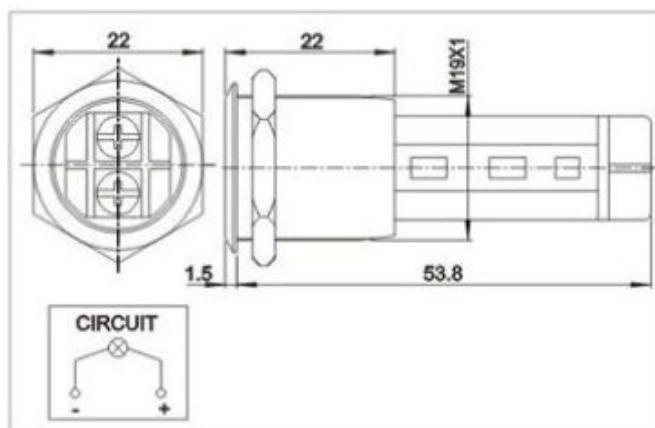


BETH PUSH SWITCH (BHM)



BHM19-JINSHU

安装孔尺寸 Mounting hole size: $\Phi 19\text{mm}$
 额定电压 Rated voltage: DC12V/DC24V
 AC110V/AC220V
 发音类型 Its phonation type: 蜂鸣 Buzzer
 闪光蜂鸣 Flicker buzzer
 头部形状 Head shape: 平圆形网孔状 Flat round honeycomb
 带灯方式 Lamp type: 环形带灯 Ring illuminated
 外壳材料: 黄铜镀镍/不锈钢
 Enclosure material: Nickel plated brass/Stainless steel
 防护等级 Degree of protection: IP50, IK04



产品规格		Specifications	BHM19-F1	BHM19-F2	BHM19金属蜂鸣器 Metal buzzer
尾部配置	Tail configuration		接线插片 Connection terminal(2.8x0.5)	接线插片 Connection terminal(2.8x0.5)	压片螺钉 Screw terminal
开关规格	Switch specifications		5A/250VAC	5A/250VAC	---
接触电阻	Contact resistance		< 50mΩ	< 50mΩ	---
绝缘电阻	Insulation resistance		> 1000MΩ	> 1000MΩ	---
绝缘强度	Dielectric Intensity		2000VAC	2000VAC	2000VAC
环境温度	Ambient temperature		-20°C ~ +55°C	-20°C ~ +55°C	-20°C ~ +55°C
机械寿命	Mechanical life		50万次以上 500,000 cycles	50万次以上 500,000 cycles	---
电气寿命	Electrical life		5万次以上 50,000 cycles	5万次以上 50,000 cycles	---
面板厚度	Panel thickness		1 ~ 10mm	1 ~ 10mm	1 ~ 10mm
螺母扭矩	Nut torque		5 ~ 14Nm	5 ~ 14Nm	5 ~ 14Nm
操作压力	Operation pressure		约3 ~ 5N About 3 ~ 5N	约3 ~ 5N About 3 ~ 5N	---
操作行程	Operation stroke		约2.5mm About 2.5mm	约2.5mm About 2.5mm	---
防护等级	Protection level		IP50, IK10	IP50, IK10	IP50, IK04
材料	触点	Contact	Silver alloy	Silver alloy	---
	按键	Button	黄铜镀镍/不锈钢 Nickel plated brass/stainless steel	黄铜镀镍/不锈钢 Nickel plated brass/stainless steel	黄铜镀镍/不锈钢 Nickel plated brass/stainless steel
	外壳	Enclosure	黄铜镀镍/不锈钢 Nickel plated brass/stainless steel	黄铜镀镍/不锈钢 Nickel plated brass/stainless steel	黄铜镀镍/不锈钢 Nickel plated brass/stainless steel
	底座	Base	PA66	PA66	PA66
灯珠参数	灯珠类型	LED type	---	---	蜂鸣 Buzzer/闪光蜂鸣 Flicker buzzer
	额定电压	Rated voltage	---	---	6V/12V/24V/110V/220V
	灯珠颜色	LED color	---	---	
	灯珠寿命	LED life	---	---	40000小时 hours